

MR-4

SPECIFICATIONS

Average Weight:
4.20 lbs [1.9 kg]

Ultimate Strength:
16,000 pounds [71.2 kN]

Yield Strength:
12,000 pounds [53.4 kN]

Maximum Working Load:*
Up to 10,800 pounds [48.0 kN]
Holding Capacity is soil and anchor rod dependent

Soil Bearing Surface Area:
Soil Bearing Surface Area:
18.14 in² [117.0 cm²]

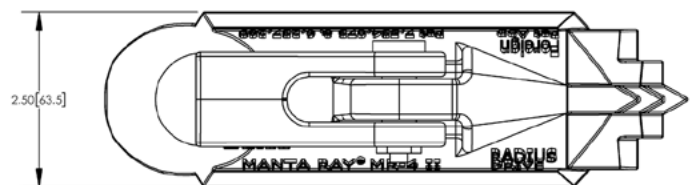
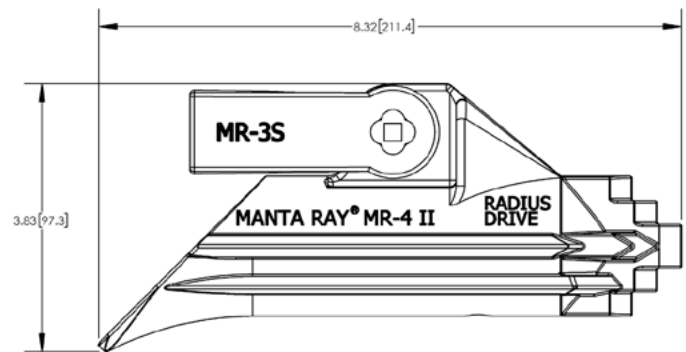
Type:
Impact Driven Soil Anchor for tensile loads

Material:
Ductile Iron per ASTM A536

Finish Specification:
Hot Dip Galvanized per ASTM A123

Anchor Rods:
1/2 in to 3/4 in [12mm to 19mm]
Note: Anchors may be tapped to accept a variety of thread forms consistent with the diameters above.

Typical Installation Depth:
5 ft to 20 ft [1.5 m to 6.1 m]



*Loads shown are in normal soil:
Typical Blow Count Range: 24-40 per ASTM-D1586