



WHY USE IT?

In order to ensure fabricated rebar cages are properly positioned for concrete placement every time. The ShaftSpacer aligns and centers rebar cages within the drilled shaft — providing proper clearance between the rebar cage reinforcement and the interior side walls of the shaft or casing.

SHAFTSPACER

A guide and alignment system for lateral positioning of reinforcement cage within caissons, drilled shafts and other geotechnical construction applications.



APPLICATIONS

- Bridge Foundations
- Building Foundations
- Retaining Wall Foundations
- Street Light Foundations
- High Mast Foundations
- Transmission Line Foundations
- Sub-station Foundations
- Tower Foundations
- Slurry Walls

ADVANTAGES

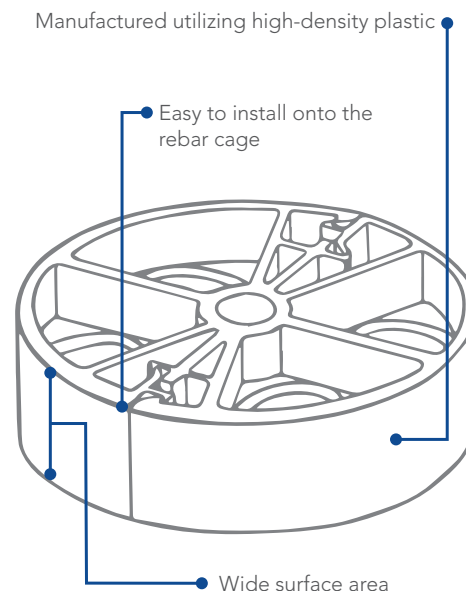
- Saves time & money on site
- Easy to install
- Lightweight, yet strong, durable
- Engineered with the contractor in mind
- Made of high-density plastic, resistant to corrosion, and chemicals common to construction
- Excellent guide system for placement of fabricated rebar cages into drilled or excavated shafts
- Economical with minimal installation costs
- Indefinite shelf-life and easily stored

CONSTRUCTION BENEFITS

- Ensures the bar reinforcement is properly spaced and aligned within the confines of the drilled shaft or excavation.
- Provides quality assurance of the sub-contractor's performance for the contractor and owner.
- Provides quality assurance of the contractor's performance for the engineer and owner.
- Installs quickly and easily, requiring only unskilled labor.
- Increases job profitability because skilled labor is released for more demanding tasks.

SHAFTSPACER MINIMUM PLACEMENT RECOMMENDATIONS

- Use one ShaftSpacer per foot (or 304.8mm) of shaft diameter (minimum of four per tier)
- Maximum six (6) foot (or 1.83m) spacing from the top of the shaft
- Maximum two (2) foot (or 0.61m) spacing from the bottom of the shaft
- Maximum eight (8) foot (or 2.44m) interval spacing along the longitudinal axis of the shaft



ShaftSpacers attached along large-diameter reinforcing cage



MODEL	COVER	DIAMETER	BAR SIZE	PACKAGING	WEIGHT
SS303	1.5"	3"	#3 - #6	50	7 lbs
SS505	2.5"	5"	#3 - #6	50	16 lbs
SS406	3.0"	6"	#3 - #6	50	22 lbs
SS808	4.0"	8"	#3 - #7	25	20 lbs
SS612	6.0"	10.75"	#3 - #7	24	27 lbs*

* When shipping UPS, use dimensional wt. of 43 lbs.

Installation of ShaftSpacer



Guiding rebar cage into drilled shaft with ShaftSpacers attached

